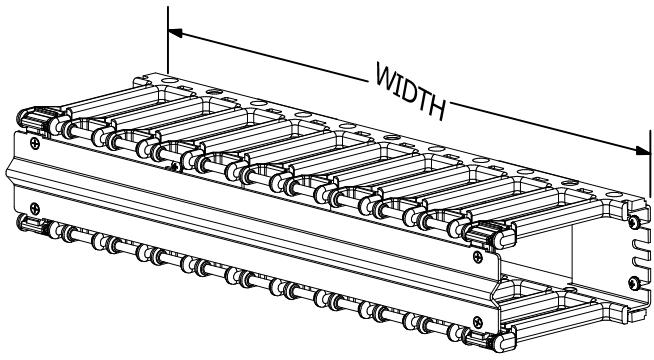
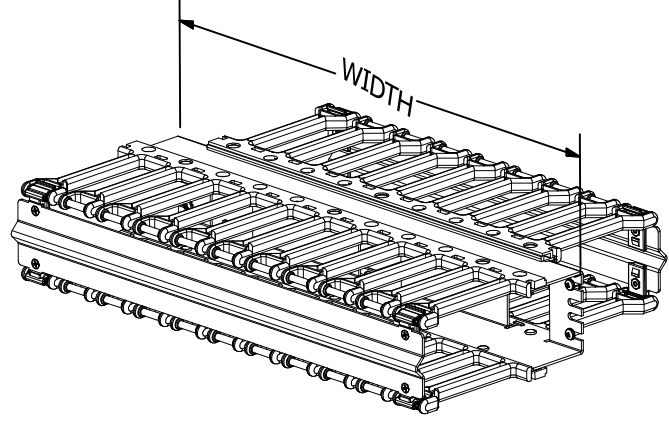


2

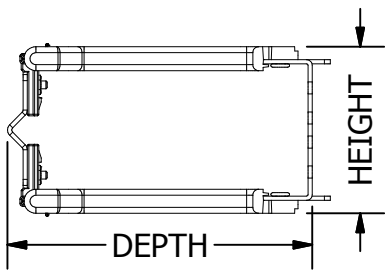
1



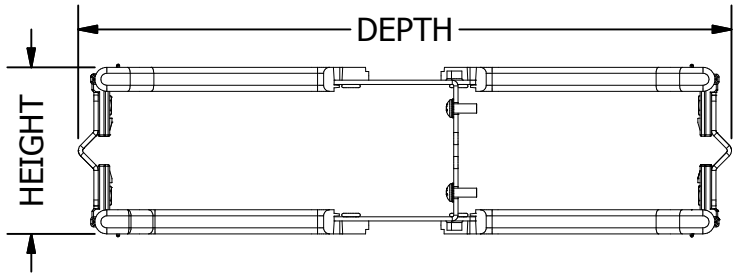
BHH192UC



BHH192UFR



CABINET AND RACK STYLE



FRONT AND REAR FINGER STYLE

CABINET STYLE			
PART NUMBER	WIDTH	HEIGHT	DEPTH
BHH191UC	19.00	1U (1.75)	6.10
BHH192UC	19.00	2U (3.50)	6.35
BHH193UC	19.00	3U (5.25)	6.35
BHH194UC	19.00	4U (7.00)	6.35
BHH231UC	23.00	1U (1.75)	6.10
BHH232UC	23.00	2U (3.50)	6.35
BHH233UC	23.00	3U (5.25)	6.35
BHH234UC	23.00	4U (7.00)	6.35

FRONT AND REAR FINGER STYLE			
PART NUMBER	WIDTH	HEIGHT	DEPTH
BHH191UFR	19.00	1U (1.75)	12.97
BHH192UFR	19.00	2U (3.50)	13.62
BHH193UFR	19.00	3U (5.25)	13.62
BHH194UFR	19.00	4U (7.00)	13.62

RACK STYLE			
PART NUMBER	WIDTH	HEIGHT	DEPTH
BHH191UR	19.00	1U (1.75)	7.65
BHH192UR	19.00	2U (3.50)	7.88
BHH193UR	19.00	3U (5.25)	7.88
BHH193UR	19.00	4U (7.00)	7.88
BHH231UR	23.00	1U (1.75)	7.65
BHH232UR	23.00	2U (3.50)	7.88
BHH233UR	23.00	3U (5.25)	7.88
BHH234UR	23.00	4U (7.00)	7.88

USED TO ORGANIZE HORIZONTAL CABLE RUNS.

HINGED, REMOVABLE COVERS OPEN 180° IN THE OPEN TO CLOSED POSITION.

LARGE FLANGED PASS-THROUGH OPENINGS ALLOW FOR CABLE TO BE ROUTED FROM REAR OF THE MANAGER ON CABINET AND RACK STYLES

PASS-THROUGH OPENINGS IN MIDDLE OF FRONT AND REAR FINGER STYLE

ECR#	REV#	DESCRIPTION	BY	DATE
AUTOCAD DRAWING FILE USED FOR VISUAL PURPOSES ONLY ANY MODIFICATIONS TO PART MUST BE DONE USING INVENTOR SOFTWARE FOR QUALITY CONTROL PURPOSES.		ALL TOLERANCES ± 0.010 UNLESS OTHERWISE SPECIFIED		

# BELDEN

THIS DRAWING AND ALL INFORMATION CONTAINED HEREIN IS THE PROPERTY OF BELDEN. ANY USE, COPY OR REPRODUCTION OF THIS MATERIAL WITHOUT WRITTEN PERMISSION OF BELDEN IS PROHIBITED.

## BHH SERIES HORIZONTAL CABLE MANAGER

REF DWG:	
MAT'L : MAT'L THK : BA:	DRAWING AUTHOR: JCC
UNITS :	Sheet 1 of 1 A
SCALE:	DATE: 2/10/2016

00014671

2

1